

AIR PREPARATION UNITS

1/4" Venturi Type Regulator Series R2
(with built in Non Return Valve)

Cat No R2 - 01 - 01 - B

VENTURI TYPE REGULATOR (WITH BUILT IN NON RETURN VALVE) - G1/4

Features

- Conforms to ISO 6953-1
- Suitable for panel and modular mountings
- Non raising 'Press to Lock' adjusting knob for locking at any set pressure
- Diaphragm operated, relieving type
- Pressure compensated by balanced poppet
- Flow compensated (with venturi) for faster response
- Good flow and regulating characteristics
- Built in non-return valve allows free air flow in reverse direction
When the inlet air is reduced by and below the setup pressure
- Optional pressure gauge port



Application

Apart from its basic regulating characteristics in forward direction, this regulator with a built in non return valve allows free air flow in reverse direction, thus enabling to be used in applications requiring cylinders to exert two different force during extending and retracting strokes.

Technical Specifications

Model	R2361... Series	
Medium	Compressed air - Filtered	
Port size	G1/4	
Pressure gauge port size	G1/8	
Flow rate @	lts/min	1000
Maximum supply pressure	bar	15
Regulating pressure range #	bar	0.2 to 2, 0.2 to 4, 0.5 to 7, 0.5 to 10 (Standard)
Ambient temperature	C	-10° to +60°
Medium temperature	C	+5° to +50°
Installation	Any position	
Materials of construction	Aluminium, Brass, Steel, Acetal, SS, Nitrile	
Optional accessories *	Clamp, Modular mounting kit, Pressure gauge	
Weight	Kg	0.165

@ Supply pressure 7 bar, Set pressure 6 bar, pressure drop $\Delta p = 1$ bar (For standard models).

For details see " How to order ".

* For details refer Optional accessories Cat No APA - 01 - C

Precautions

1. Note the direction of flow before installation and connect piping accordingly.
2. Flush pipings for dirt, dust, rust and other foreign particles.
3. Install in clean atmosphere.
4. Nipples with taper threads (R) to be used with teflon tape. Ensure Teflon tape doesnot enter the unit during tightening. Nipples with straight threads (G) to be used with sealing washer.

Pressure Setting

Pull the knob and adjust by turning the knob clockwise to increase the pressure. Push the knob back to its locked position. (Turning the knob counter clockwise will reduce the pressure)

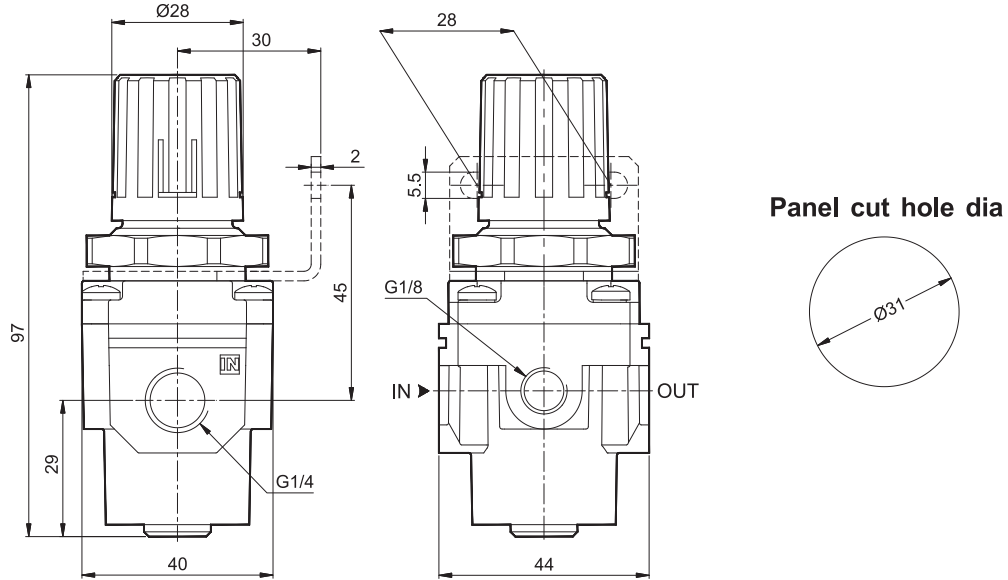
AIR PREPARATION UNITS

1/4" Venturi Type Regulator Series R2

(with built in Non Return Valve)

Cat No R2 - 01 - 01 - B

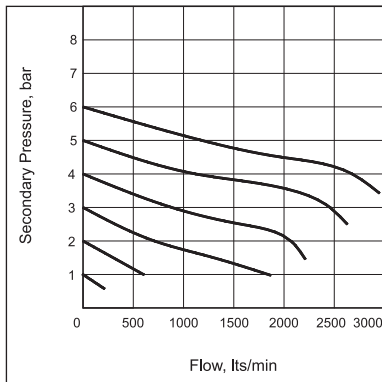
Model R2361...



For Details of Clamp see optional accessories Cat No APA - 01 - C

Flow Graphs

1/4" REGULATOR



How to order

R2	361	4								
Body & Port size		Pressure range								
361	G1/4	<table border="1"> <tr> <td>1</td> <td>0.2 - 2 bar</td> </tr> <tr> <td>2</td> <td>0.2 - 4 bar</td> </tr> <tr> <td>3</td> <td>0.5 - 7 bar</td> </tr> <tr> <td>4</td> <td>0.5 - 10 bar (Standard)</td> </tr> </table>	1	0.2 - 2 bar	2	0.2 - 4 bar	3	0.5 - 7 bar	4	0.5 - 10 bar (Standard)
1	0.2 - 2 bar									
2	0.2 - 4 bar									
3	0.5 - 7 bar									
4	0.5 - 10 bar (Standard)									

Ordering example: Regulator - 1/4 size (with G1/4 port), with pressure range 0.5 - 7 bar : Ordering No : **R23613**
If ordered as 1/4 Regulator, our standard model **R23614**, G1/4 with pressure range 0.5 - 10 bar will be supplied.

Subject to change